

LED LINEAR WRAP - LW139 Series



Application: offices, conference rooms, schools, hospitals, hallways, stairwells, basements, workshops, laundry rooms, garages and more.

FEATURE

- Cut your electric bill by up to 80% instantly
- Steel housing and equipped with heat resistant frosted lens
- Narrow width: suitable for small space such as stairway
- 5-year limited warranty
- Color selectable options to fit different environment
- Chain or surface mount installation

OPTION

	Emergency Driver
	Bi-Level Motion Sensor Stand-by Level: 0%/10%/30%/50% Daylight Control: 0/10/30/50 Lux Standby Time: ∞/ 10s/1min/5min/60m

SPECIFICATIONS

Model. No.	HY-2FT-LW139-18W-3CCT	HY-4FT-LW139-32W-3CCT
Power	18W	32W
Size	2ft	4ft
Input Voltage	100-277 VAC	
Lumen	130 LM/W	
Power Factor	0.95	
Beam Angle	110°	
Dimming	0-10V Dimmable	
CCT	3000K/4000K/5000K Adjustable	
Protection Rating	IP20 (For Indoor Use Only/Damp Location)	
CRI	>80	
Working Life	Lumen Maintenance over 70% @ 50,000+ Hours	
Working Temperature	- 4°F ~ +104°F	
Certification	DLC Premium/ ETL	

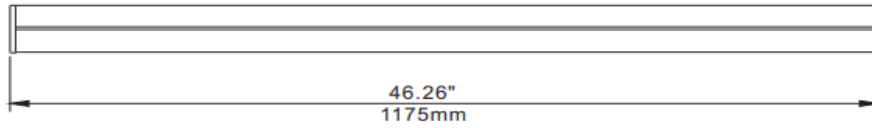
ORDERING GUIDE

Company Code	Size	Product	Watt	XXK
HY	2ft 4ft	LW139: LED Linear Wrap	2ft: 18W 4ft: 32W	3000k 4000K 5000K CCT Selectable

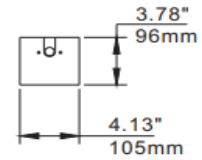
LED LINEAR WRAP - LW139 Series

DIMENSION

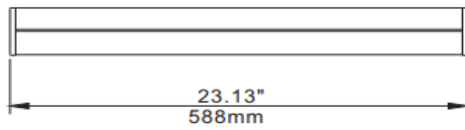
4ft Front View



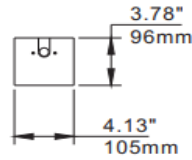
Side View



2ft Front View



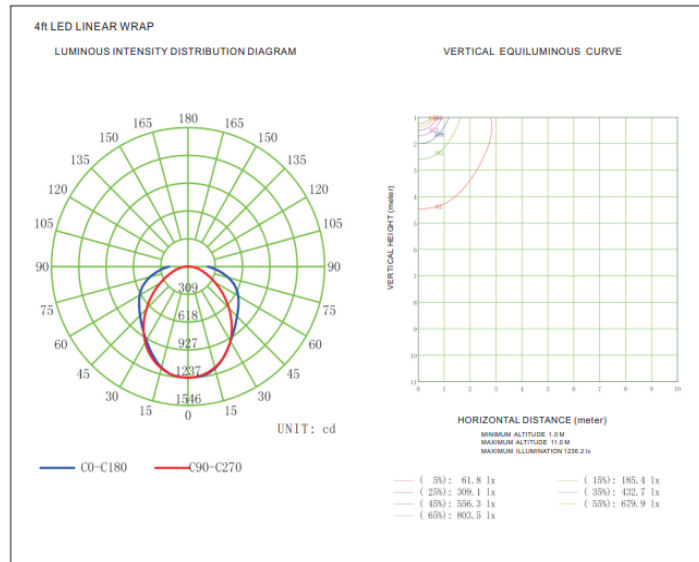
Side View



PACKAGE INFO

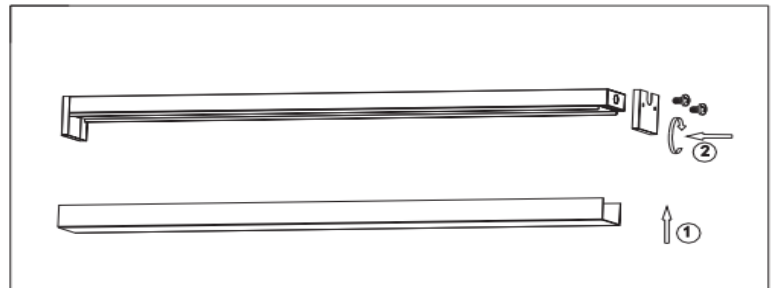
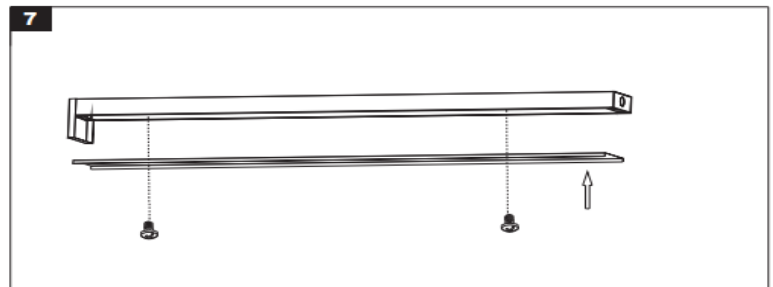
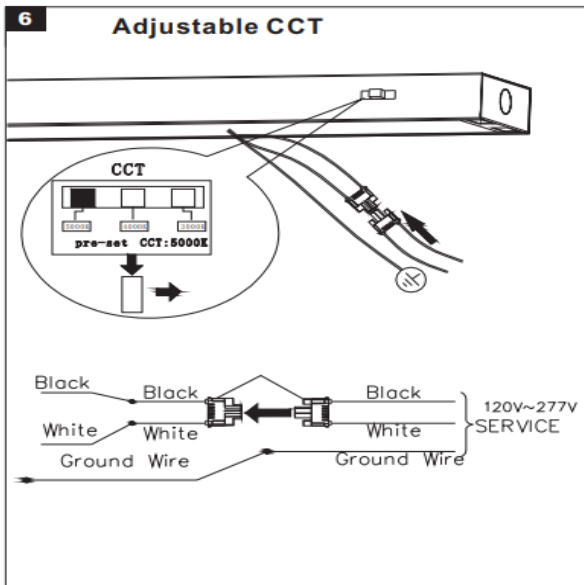
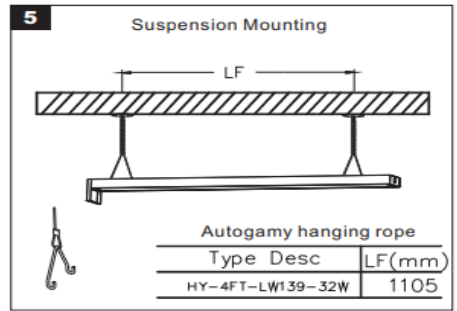
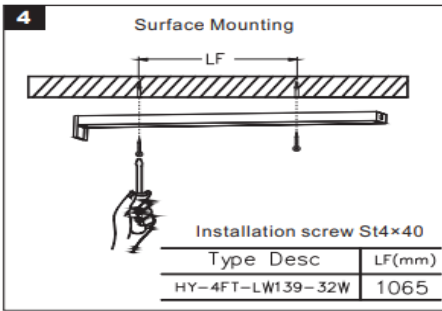
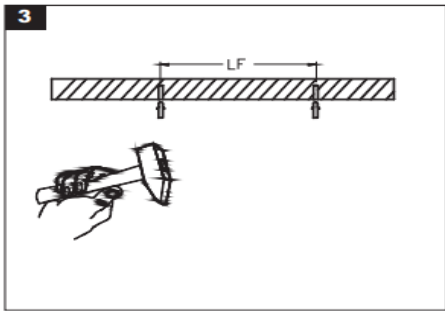
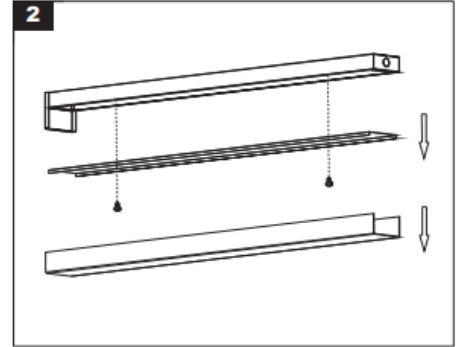
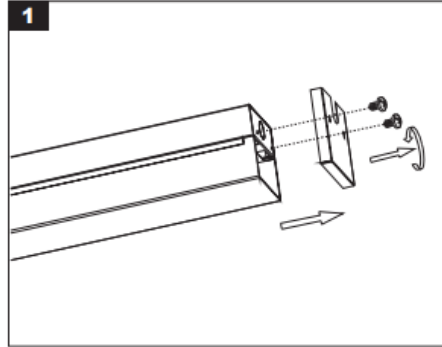
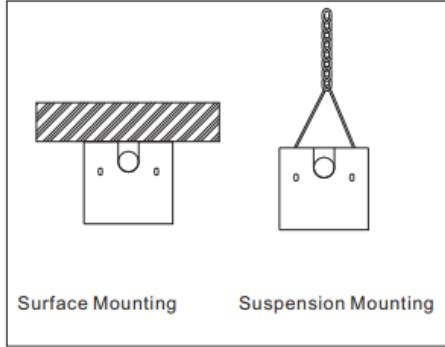
Model No.	HY-2FT-LW139-18W-XXK	HY-4FT-LW139-32W-XXK
Size	2ft	4ft
QTY/PACK	6PCS/PACK	
Package Size	630X345X245mm 24.8"X13.58"X9.65"	1210X405X240mm 47.64"X15.94"X9.45"
Package Weight	10kg/22.05 lbs	13.9kg/30.64 lbs
Package CBM	0.053251	0.117612
40GP Capacity	~6530 PCS	~2950 PCS
40HQ Capacity	~7660 PCS	~3460 PCS
45HQ Capacity	~8780 PCS	~3970 PCS

PHOTOMETRIC REPORT



LED LINEAR WRAP - LW139 Series

INSTALLATION



Connection Installation

